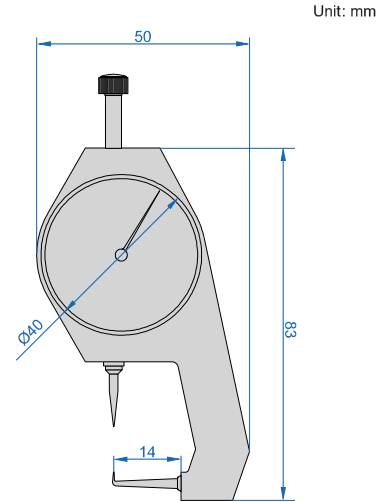


## THICKNESS GAUGE WITH POINTED TIPS



2864-10



- Pointed tips fit into small grooves and recesses

Code	Range	Graduation	Accuracy
2864-10	0-10mm	0.1mm	±0.1mm

application

